

UniTube®

Universal Industries, Inc.



*Up to
250
tonnes p/h



2200 Series Drive Over

*Up to 250 tonnes per hour



MODEL	2200 Series Drive Over
CAPACITY	Capacity Up to 250 tonnes per hour* *Capacity depends on material, moisture and density
TUBING	14" Diameter Tubes
BELT	22" 2 Ply Chevron
BELT SPEED	Standard 600 FPM
DRIVE OPTIONS	Electric or Hydraulic Top Drive
DECK SIZE	Drive over deck with full 12' hopper area
CONSTRUCTION	Carbon Steel Available
OPTIONAL ACCESSORIES	Walk Over Platform, Hydraulic Flaps

12 Golf Course Road | P.O. Box 52
Horsham, Victoria 3402

Office: 03 5382 1427 | Phone: 0418 504 367

Email: andrew@carines.com.au | www.carines.com.au

CARINE'S
MERCHANDISE

PTY. LTD.

Uni Tube®

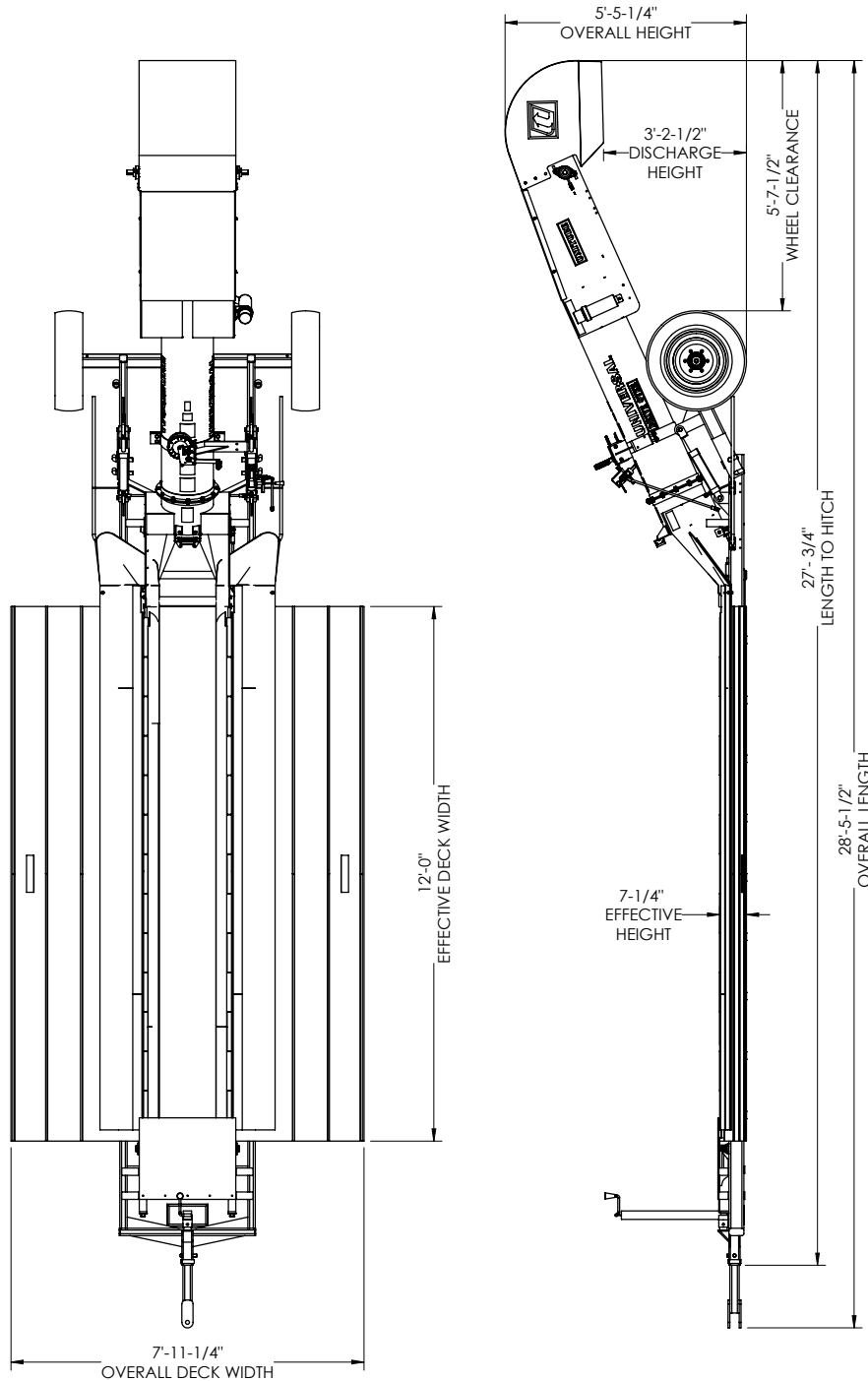
Universal Industries, Inc.

2200 Series

Drive Over

Up to 250 tonnes p/h*

2200 Series Drive Over



NOTE: Unit application, location and specifications determine the type, quantity and/or placement of electrical, electrical safety or other safety controls required. Whether these controls are supplied by Universal Industries or another supplier, all OSHA safety and health standards, the National Electrical Code and local codes must be met and followed. Because we constantly strive to provide the finest material handling equipment, establishing industry standards, specifications must remain subject to change without notice.



12 Golf Course Road | P.O. Box 52

Horsham, Victoria 3402

Office: 03 5382 1427 | Phone: 0418 504 367

Email: andrew@carines.com.au | www.carines.com.au

CARINE'S
MERCHANDISE

PTY. LTD.