

UniTube®

Universal Industries, Inc.

1837 BinBuster™ Field Loader

*Up to 220 tonnes p/h



Petrol or diesel powered self-propelled options

*Up to
220
tonnes p/h

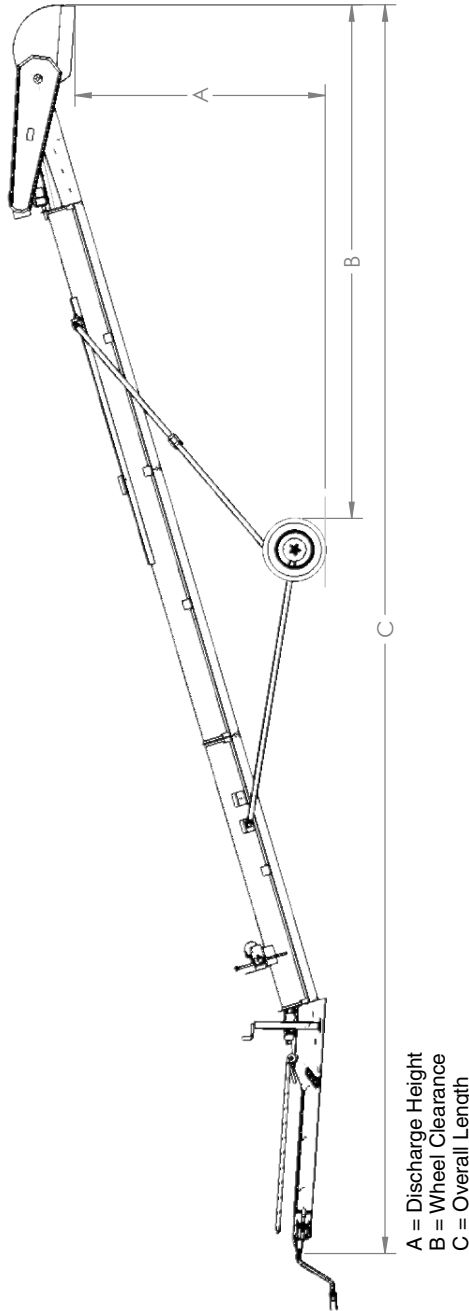
MODEL	1837 BinBuster™ Field Loader
CAPACITY	Up to 220 tonnes per hour* *Capacity depends on material, moisture, density & angle
TUBING	12" Diameter Tubes
BELT	18" 2 Ply Chevron
BELT SPEED	Standard 600 FPM
TOP DRIVE	Options: Electric, Hydraulic, or Dual
HOPPER	Collapsible Canvas Hopper. Collapsed = 9", Extended = 15"
CONSTRUCTION	Carbon Steel
OPTIONAL ACCESSORIES	Wheel Kit and Bottom Guards

Outperforms
any 10"
U-Trough
Bin Unload
Auger

12 Golf Course Road | P.O. Box 52
Horsham, Victoria 3402
Office: 03 5382 1427 | Phone: 0418 504 367
Email: andrew@carines.com.au | www.carines.com.au

CARINE'S
MERCHANDISE
PTY. LTD.

1837 BinBuster[™] Field Loader & Short Field Loader[®] Top Drive



Unit	Transport		Lowered		25 Degrees		Max		Other Information		
	Overall Height At 18" Hitch Height	C	A	B	A	B	A	Width	Electric HP	GPM Requirements	
1837 SFL	11'-4"	42'-3-1/4"	9'-4-1/4"	17'-6"	14'-7-1/2"	14'-7-1/2"	17'-3/4"	7'-9"	12.5 (1PH)/ 15 (3PH)	14	
1837 FL	10'-11-1/2"	45'-3-1/4"	9'-3-3/4"	18'-5"	14'-10-1/2"	14'-10-1/2"	16'-4-1/2"	7'-9"	12.5 (1PH)/ 15 (3PH)	14	

NOTE: Unit application, location and specifications determine the type, quantity and/or placement of electrical, electrical safety or other safety controls required. Whether these controls are supplied by Universal Industries or another supplier, all OSHA safety and health standards, the National Electrical Code and local codes must be met and followed. Because we constantly strive to provide the finest material handling equipment, establishing industry standards, specifications must remain subject to change without notice.

