

UniTube®

Universal Industries, Inc.



*Up to
180
tonnes p/h

Petrol or diesel powered self-propelled options

1537 & 1547 Field Loader

*Up to 180 tonne p/h

MODEL	1537 & 1547, Field Loader
CAPACITY	*Up to 180 tonne p/h. *Capacity depends on material, moisture, density & angle
TUBING	10" Diameter Tubes
BELT 1	15" 2 Ply Chevron
DRIVE	Options: Electric Top Drive or 26.5 HP Kohler Fuel Injected Petrol Engine
HOPPER	Collapsible Canvas Hopper
UNIT WIDTH	7'-9" Outside Wheel Width
CONSTRUCTION	Carbon Steel (Optional Stainless Steel)
OPTIONAL ACCESSORIES	Bottom Guards, Hydraulic Drive Self Propelled

12 Golf Course Road | P.O. Box 52
Horsham, Victoria 3402

Office: 03 5382 1427 | Phone: 0418 504 367

Email: andrew@carines.com.au | www.carines.com.au

CARINE'S
MERCHANDISE

PTY. LTD.

UniTube®

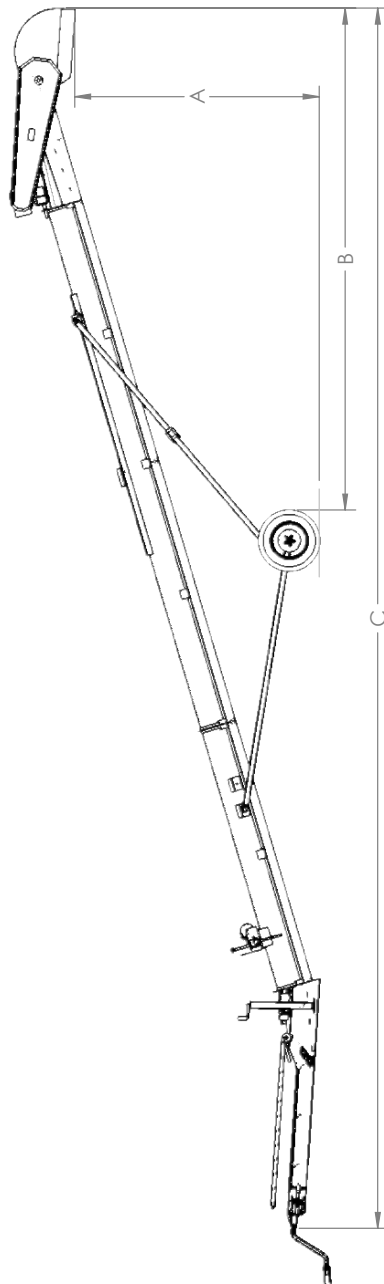
Universal Industries, Inc.

1537 & 1547

Field Loader

Up to 180 tonnes p/h*

1500 Series Field Loader & Short Field Loader® Top Drive



Unit	Transport		Lowered		25 Degrees		Max	Other Information		
	Overall Height At 18" Hitch Height	C	A	B	A	B	A	Width	Electric HP	GPM Requirements
1537 SFL	11'-3-1/4"	42'-3-1/4"	9'-6"	17'-6"	14'-6-1/2"	16'-9"	17'-11"	7'-9"	10 (1 PH/3 PH)	14
1537 FL	10'-7-1/4"	45'-4-1/2"	9'	18'-5-3/4"	14'-9-1/2"	17'-7"	17'-9"	7'-9"	10 (1 PH/3 PH)	14
1547 SFL	13'-1-1/4"	52'-2"	11'-3"	21'-7-1/4"	18'-9-1/2"	18'-9-1/4"	20'-8"	7'-9"	10 (1 PH/3 PH)	14
1547 FL	12'-2-3/4"	55'-2-1/2"	10'-3-1/4"	22'-6-3/4"	19'-1/4"	19'-1/4"	20'-1"	7'-9"	10 (1 PH/3 PH)	14

NOTE: Unit application, location and specifications determine the type, quantity and/or placement of electrical, electrical safety or other safety controls required. Whether these controls are supplied by Universal Industries or another supplier, all OSHA safety and health standards, the National Electrical Code and local codes must be met and followed. Because we constantly strive to provide the finest material handling equipment, establishing industry standards, specifications must remain subject to change without notice.



12 Golf Course Road | P.O. Box 52

Horsham, Victoria 3402

Office: 03 5382 1427 | Phone: 0418 504 367

Email: andrew@carines.com.au | www.carines.com.au

CARINE'S
MERCHANDISE

PTY. LTD.