

# UniTube®

Universal Industries, Inc.



## 1500 Series Drive Over

\*Up to 160 tonnes per hour



MODEL	1500 Series Drive Over
CAPACITY	Capacity Up to 160 tonnes per hour* *Capacity depends on material, moisture, density, and angle
TUBING	10" Diameter Tubes
BELT	15" 2 Ply Chevron
BELT SPEED	Standard 600 FPM
DRIVE OPTIONS	Electric, Hydraulic, or Gas
DECK SIZE	Drive over deck with full 11' 8" wide hopper area
CONSTRUCTION	Carbon or Stainless Steel Available
OPTIONAL ACCESSORIES	Wind Guards, Bottom Guards

12 Golf Course Road | P.O. Box 52  
Horsham, Victoria 3402

Office: 03 5382 1427 | Phone: 0418 504 367

Email: [andrew@carines.com.au](mailto:andrew@carines.com.au) | [www.carines.com.au](http://www.carines.com.au)

**CARINE'S**  
**MERCHANDISE**

PTY. LTD.

# Uni Tube®

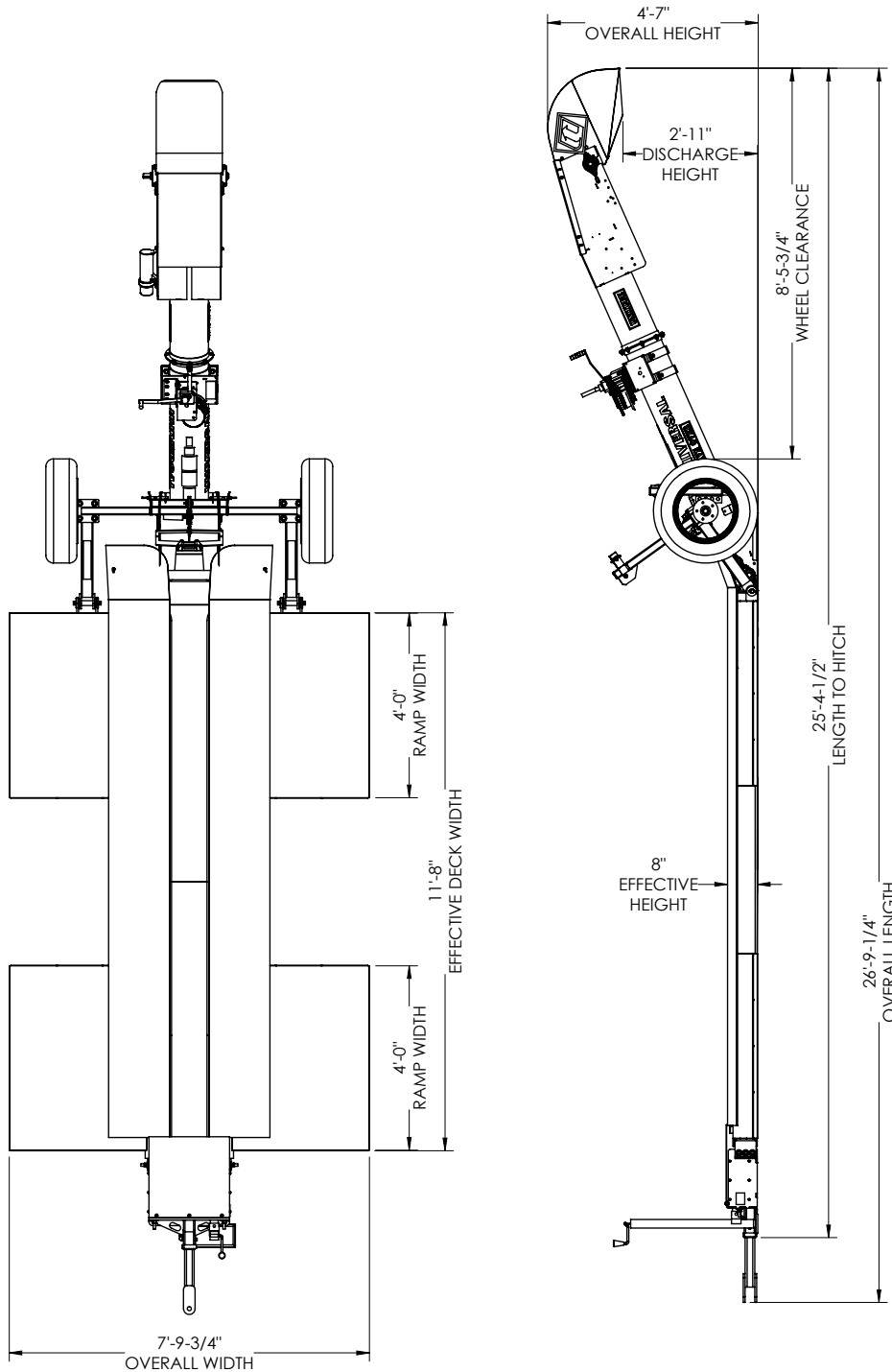
Universal Industries, Inc.

1500 Series

Drive Over

Up to 160 tonnes p/h\*

## 1500 Series Drive Over



NOTE: Unit application, location and specifications determine the type, quantity and/or placement of electrical, electrical safety or other safety controls required. Whether these controls are supplied by Universal Industries or another supplier, all OSHA safety and health standards, the National Electrical Code and local codes must be met and followed. Because we constantly strive to provide the finest material handling equipment, establishing industry standards, specifications must remain subject to change without notice.



12 Golf Course Road | P.O. Box 52

Horsham, Victoria 3402

Office: 03 5382 1427 | Phone: 0418 504 367

Email: [andrew@carines.com.au](mailto:andrew@carines.com.au) | [www.carines.com.au](http://www.carines.com.au)

**CARINE'S**  
**MERCHANDISE**

PTY. LTD.