

R990

Grain baggers

R1090

All-new, patent pending design offers major advancements in bagger performance

- *Faster working pace than conventional machines*
- *No auger inflicted damage*
- *Consistent stretching of plastic along bag perimeter*
- *Less power requirements for the same work done*



R990

9' bags
up to 500' long

16"
auger diameter

25,000
bushel/hour capacity

R1090

10' bags
up to 500' long

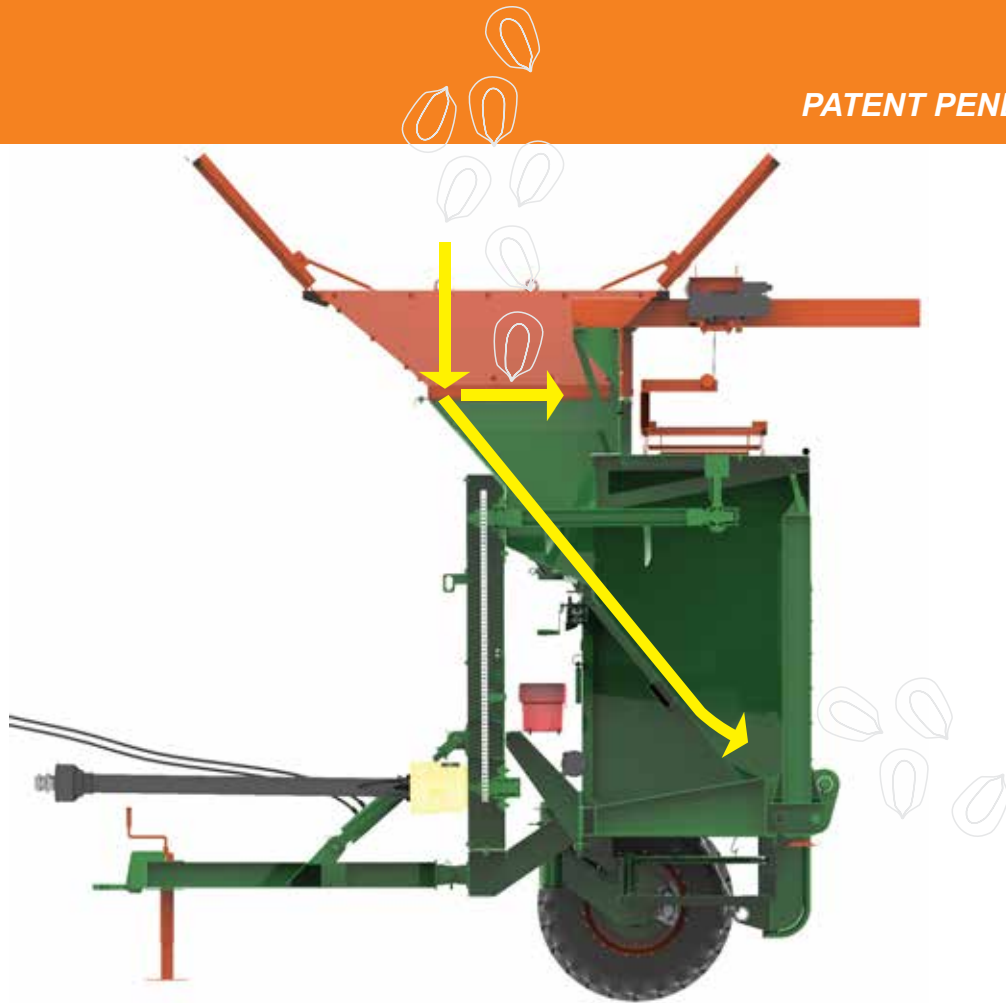
24"
auger diameter

50,000
bushel/hour capacity



WE MEET YOUR PRODUCTION NEEDS

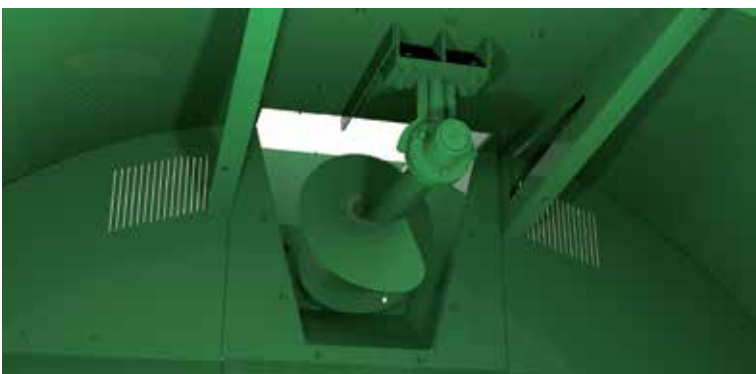
PATENT PENDING DESIGN



Advantage N° 1 – More bushels per hour stored with less fuel usage

- Richiger's R1090 model has the largest auger diameter of any bagger: 24". However, this alone does not account for its outstanding work performance.
- Grain drops through the hopper with virtually no obstruction from the uncovered auger. When this grain strikes the inclined partition it generates a forward force that helps propel the bagger, saving on power and fuel.
- The auger provides as much push and flow as needed. While low engine throttle is sufficient in most loading situations, revving the engine enables the bagger to match the delivery rate of the largest grain carts on the market.

Uncovered auger as viewed from tunnel below



Uncovered auger as viewed from hopper above



RICHIGER

R990 R1090 Grain baggers



Advantage N° 2 – Improved grain flow

- The uncovered auger pushes grain both forward and perpendicular to its axis, resulting in more efficient dispersal through tunnel and bag.

Advantage N° 3 – Richiger's exposed auger will not damage grain

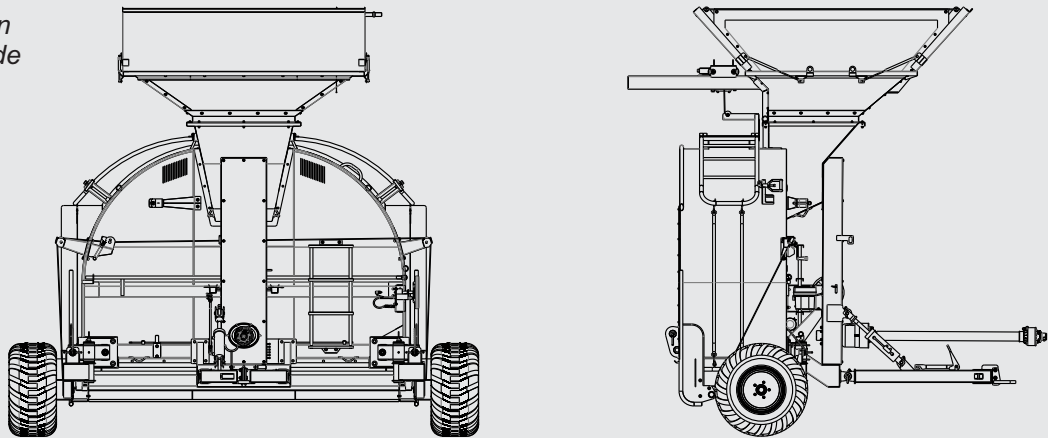
- Encased augers can damage grain because of entrapment and drag between screw and tube, especially when wear sets in. In contrast, Richiger's open auger system will not harm grain in any circumstance.
- Even a well-worn auger that has seen extended use will operate effectively and handle grain gently in the process. This allows for a flexible part replacement schedule.



Wheels swivel 180° to optimize weight distribution for work and transport. During work the wheels are positioned outside. For transport, wheels pivot inside and forward to minimize road travel width. A pivoting tongue at the rear attaches to a towing vehicle.



Bagger in work position
with wheels set out wide



Advantage N° 4 – A better shaped bag holds more grain

- Regular baggers have an encased auger that conveys grain from hopper to bag.
- In patent pending Richiger R-series baggers, the hopper sits atop the tunnel and grain is not conveyed, but descends by gravity. Part of this grain falls past the uncovered auger to slip cleanly into the bag.
- The end result? Uniform grain buildup from bottom to top. Bag girth expands at floor level, resulting in a reduction of creases and bulges on sidewalls. Storage capacity may increase up to 10% compared with conventionally filled bags.



CARINE'S
MERCHANDISE

PTY. LTD.

03 5382 1427
Andrew Carine - 0418 504 367
12 Golf Course Rd, Horsham VIC
carines.com.au

