

Meet Richiger's state-of-the-art **EA-910** the smoothest, fastest 9 & 10 ft grain bag unloader in the business

Ruggedness and ease of use
in a go-everywhere machine



The EA-910 unloader can handle up to 12,000 bushels of corn per hour, equivalent to 300 tons/hour. Actual output will depend on grain type, moisture and degree of cleanliness.

New patent pending features add significantly greater operating capacity. New design optimizes grain flow and requires modest tractor power, 60 HP being amply sufficient for the task. This means that bag contents can be discharged quicker and with less energy expenditure.

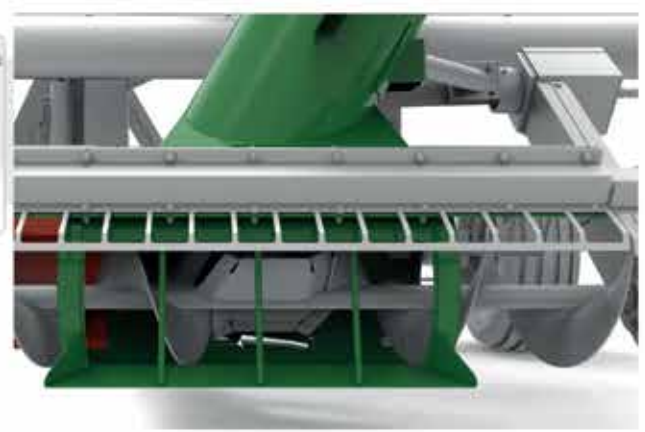
The EA-910 unloader is simple to operate. An array of three levers and a switch handles all functions. A single worker monitors the operation, which runs in automatic mode once the machine is up and running.

Its heavy duty frame and sturdy components ensure long years of trouble-free operation in the toughest work conditions.

RICHIGER

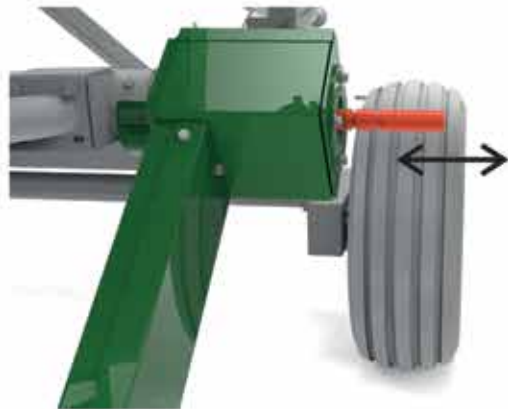
WE MEET YOUR PRODUCTION NEEDS

The amount of incoming grain is boosted by a patent pending reception chamber that includes new scooped pusher vanes for unmatched delivery of grain to the discharge auger.



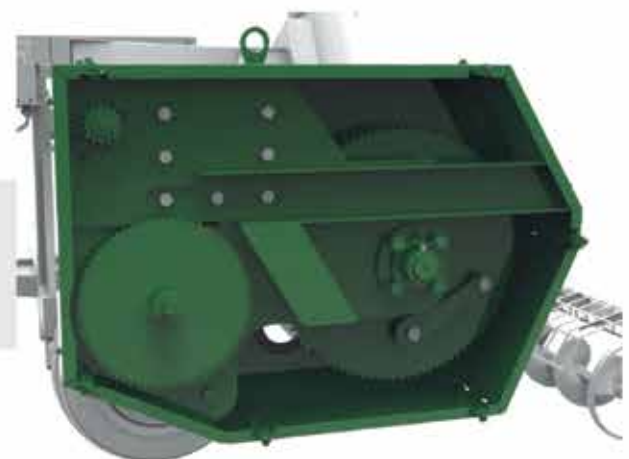
The all new auger drive is positioned away from the reception chamber to eliminate grain flow turbulence.

Pointed studs on roller face firmly hold the plastic sheet on initiation.



A simple pull-type locking mechanism connects and disconnects the sweeper augers in a snap.

A chain and gear transmission reduces hydraulic motor rpm and generates the torque to handily discharge up to 5 metric tons of grain per minute.



The automatic roller engage & disengage feature allows for fast release of used plastic. A marker in the viewing window notifies operator that roller drive is positively disengaged.

EA-910

5 metric tons of grain per minute (200 bu/min)

The foldaway one-piece blade manufactured in hardened steel easily slashes the bag as the unloader advances.



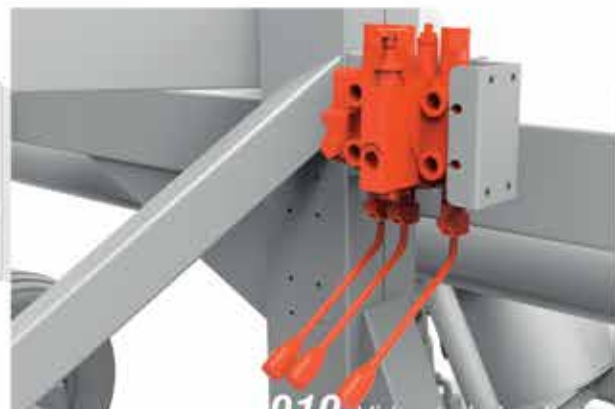
A safety grid covers the cross auger.

A sliding partition seals the reception chamber and speeds up the passage of grain through the auxiliary hopper.



Height regulation for transport and work is set hydraulically and cylinder clamps are used to ensure steadiness in operation.

An array of three levers and a switch handles all hydraulic functions: raising and lowering the discharge auger, setting clearance to the ground, turning the roller, and regulating its speed.



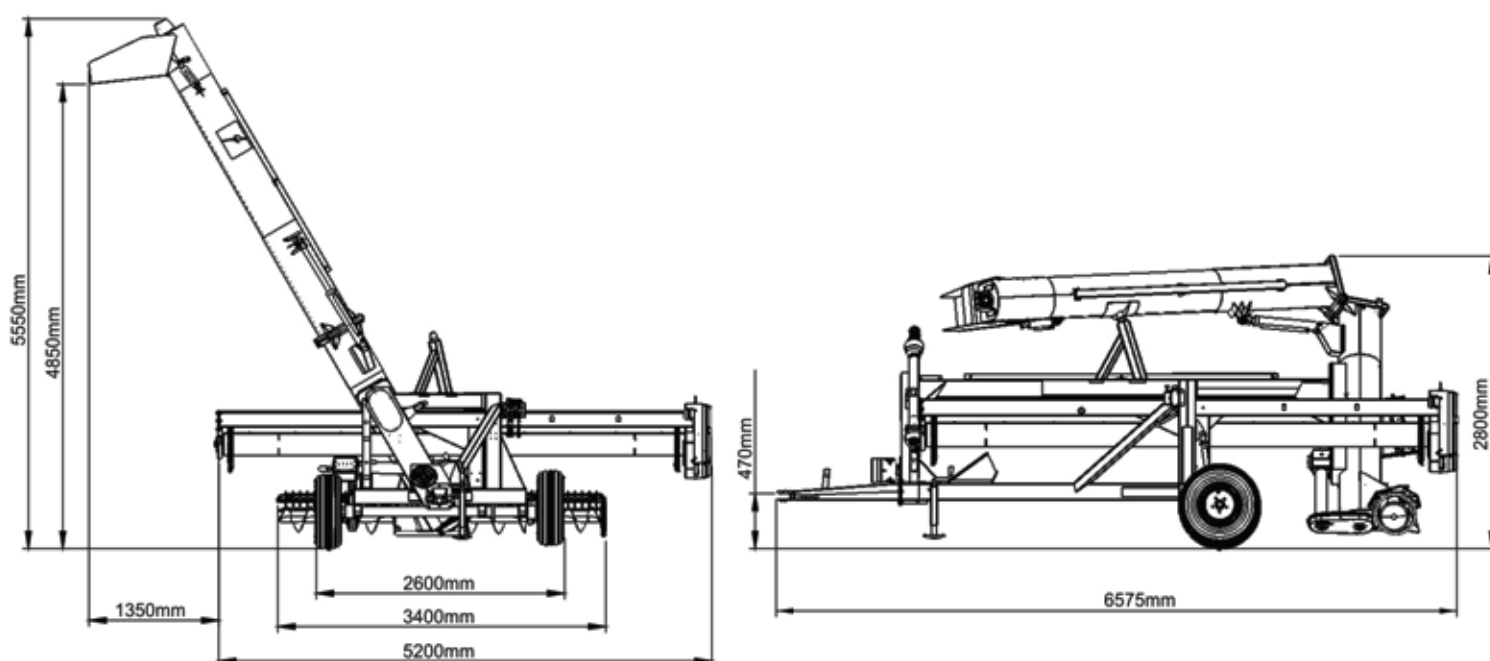
010

A new level of performance in 9ft / 10 ft bag extractors

The chore of emptying grain bags was far more complicated than the task of filling them until Richiger changed that by designing and producing the first ever roller-type bag unloader. The EA-910 continues that tradition and is the most advanced 10 ft bag unloader in the market today. Its hydraulic roller pulls in the bag while mechanically powered cross augers collect grain and direct it to a discharge auger that conveys it out to grain wagon or truck. The mass of grain in the bag acts as ballast and the roller hauls tractor and unloader along as it turns. With brakes off and gear case in neutral there is no wear and tear of tractor clutch components, and the system works smoothly and continuously with no time lost in back and forth maneuvers. The work rate is adjusted by way of roller speed to allow for grain type and condition, and unloading then proceeds automatically. Any grain not gathered by the cross augers in the first pass is dumped back as the bag's floor is raised by the roller, and this ensures that no grain remains in the bag once it has finished emptying. Best of all, the unloader's operation can be mastered quickly and easily. Its exceptional functioning can be exemplified with dry corn: a 60 hp tractor can unload 12,000 bushels in an hour, in fact setting a new standard of performance for this type of machine.

Technical Specifications

Tractor	Minimum power requirement: 60 HP.
Drive	Mechanical and hydraulic. PTO speed: 540 rpm.
Collecting augers	Standard for 9 ft /10 ft bags.
Transport	Exclusive self-trailing system.
Tires	11L-15/10 ply.
Weight	1,800 kg
Work capacity	300 tons/hr or 12,000 bushels/hr (with dry corn).



CARINE'S
MERCHANDISE

03 5382 1427
Andrew Carine - 0418 504 367
12 Golf Course Rd, Horsham VIC
carines.com.au



PTY. LTD.